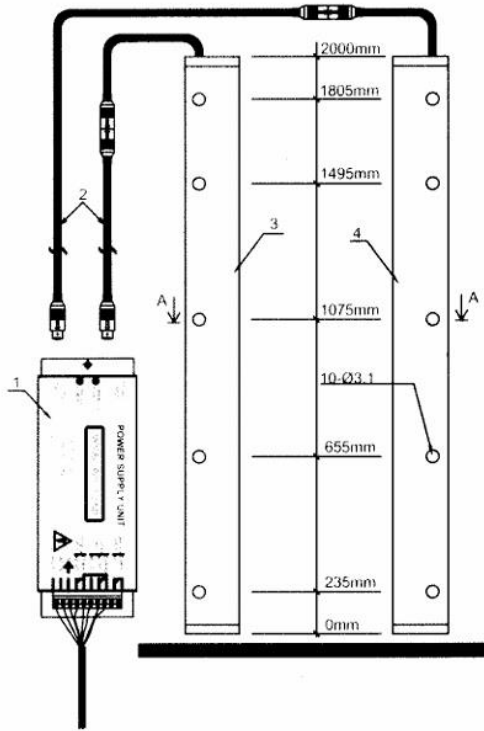


BARRERA FOTOELÉCTRICA

# EL174 MicroSLIM



SECTION A-A

Specification of light curtain

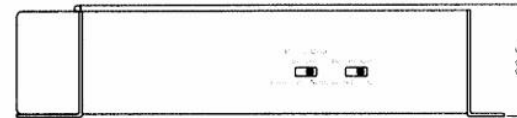
Model	B174/R1	B194/R1
Number of diodes	36	40
Maximum beams	174 beams	194 beams
Distance between diodes	45.7mm	45.7mm
Response Time (Relay)	65ms	70ms
Size	7mmX29.5mmX2000mm	
Highest beam	1600mm	1800mm
Lowest beam	20mm	20mm
Detecting distance	0-3500mm	0-3500mm
Operating temperature range	-20 ~ +65	
IP Rating	IP65	
Light immunity	Not less than 100 000LUX	
EMC compliance	Emissions to EN12015, Immunity to EN12016	
Model P220-EU/ND	185-300V AC 0.05A 50/60HZ	
Power rating	4W	
Vibration test	Random vibration 10 to 55Hz 1hrs per axis Sinusoidal vibration 30Hz 30mins per axis	
Indicator light function	Indicator lights in TX, RX, and power supply unit can indicate working status	
Self-test mode	Periodic self-testing. In case of power failure or self testing faulty, self test output COM-ST and NC-ST will OPEN	

System self-testing items description:

1. Single Chip internal RAM, ROM
2. Infrared signal amplifier Circuits
3. Output signals and communication signals
4. Feedbacks of conventional output relay and self-test output relay

In case the system detects above mentioned faulty points, conventional output relay and self-test output relay(NC-ST) will OPEN automatically.

Model	P220-EU/ND
Size	178mm(L)X67mm(W)X39.5mm(H)
Voltages input	185-300V AC 0.05A 50/60HZ
Power consumption	4VA
Case material	Steel and Aluminium
LED indication	Red LED indicates power status GREEN LED indicates working status of conventional output and self-test output GREEN light will be flashing in case of self-test faulty

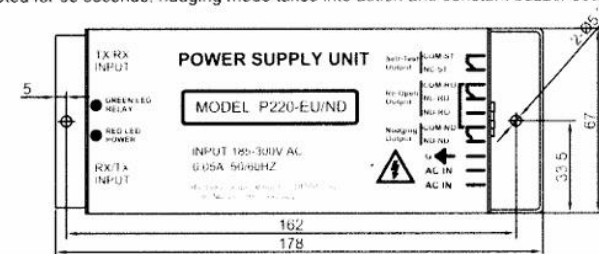


Two switches are designed for setting buzzer working status

Buzzer Switch: To turn ON/OFF buzzer function

Buzzer mode selection switch: To select and set working modes of the buzzer.

- If switch to "Conventional" mode, when light curtain beams are continuously interrupted for 15 seconds, Intermittent buzzer sound starts
- If switch to "Nudging" mode, when light curtain beams are continuously interrupted for 15 seconds, Intermittent buzzer sound starts. When light curtain beams are continuously interrupted for 30 seconds, nudging mode takes into action and constant buzzer sound starts.



Remarks: Power supply unit includes three groups of outputs:

1. Self test output: COM-ST and NC-ST are applied to self-test output. Output CLOSE in case of power on and self testing normal; Output OPEN in case of power off or self testing faulty, which has nothing to do with whether beams are interrupted or not.
2. Conventional output: COM-RO and NC-RO are applied to beams interruption. Output CLOSE in case of no beams interrupted; Output OPEN in case of power off or beams interrupted. COM-RO and NO-RO are applied to beams interruption. Output OPEN in case of no beams interrupted. Output CLOSE in case of power off or beams interrupted.
3. Nudging output: If light curtain is without any beams interruption, the nudging output relay "COM-ND" and "NO-ND" will OPEN. In case of power failure or continuous beams interruption over 30 seconds, nudging mode take into action while nudging mode output relay "COM-ND" and "NO-ND" will CLOSE